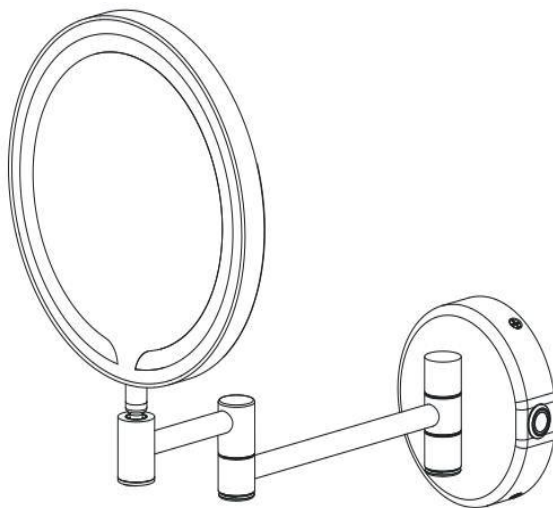


Thank you for choosing Better Bathrooms.
Please read this manual before installing your product
and keep for future reference.

**better
bathrooms**

LED Make up Mirror



GEMBB200

GEMMB200

V20241128E

- Rimless LED cosmetic mirror
- Double-Sided mirror, One Side 3X Magnifier mirror, One Side Normal Mirror
- Colour temperature 6500k+-500k
- Double adjustable swing arms

CONGRATULATIONS ON YOUR PURCHASE

Our aim at Better Bathrooms is to bring you extraordinary bathroom products for less.

If you're after a modern, traditional, or totally unique bathroom style, we have the fittings and fixtures to bring your ideas to life so you can fall in love with your space every day.

We hope your new product goes above and beyond your expectations. However, should any problems occur, please:

- Log in to your account and contact our customer services team via your self-service portal – betterbathrooms.com/CustomerAccount/Login
- Contact us via betterbathrooms.com/contact/contact-us

CONTENTS

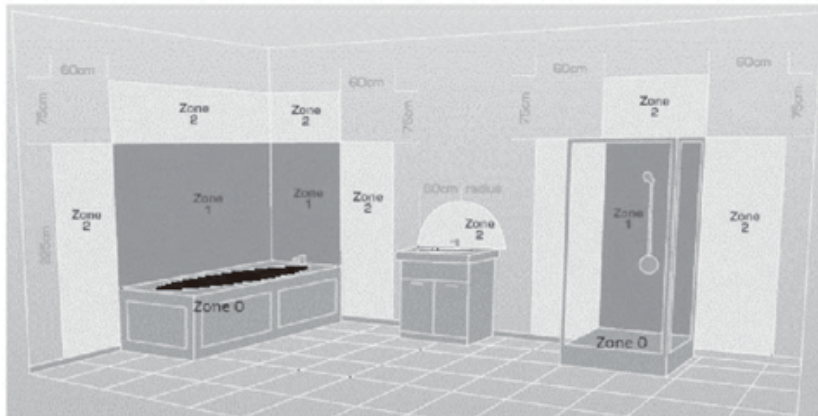
SAFETY	3
BATHROOM ZONES	4
PARTS SUPPLIED	4
TOOLS REQUIRED	5
PRODUCT OVERVIEW	5
INSTALLING THE MIRROR	6
PRODUCT DIMENSIONS	8
OPERATION	9
TECHNICAL SPECIFICATIONS	9
DISPOSAL	10

SAFETY

- A qualified electrician should install this mirror.
- This fitting is only suitable for connection to a 220-240V earthed supply in accordance with current IEE wiring regulations and should be installed in accordance with local Building Regulations.
- This is for domestic, indoor use only.
- The fitting should be connected to a dedicated lighting circuit, which must be protected by a 5-amp fuse (or a 6-amp miniature circuit breaker).
- Before installing the fitting, ensure the mains supply is switched off and that the appropriate fuse is removed (or the appropriate circuit breaker is switched off) before commencing installation. Ensure that measures are taken to prevent the supply from being inadvertently reconnected.
- If there is a “Minimum Distance” Label, please do not allow Flammable Materials to rest within that distance from the unit.
- This product may contain delicate parts – be careful during handling and maintenance to avoid breakage.
- Any modification to the fitting will invalidate the warranty and may render the product unsafe.
- A defective appliance may cause electric shock. Never switch on a defective or damaged appliance. Disconnect the appliance from the mains before seeking assistance.
- This product is IP44 rated, and no part of the installation is allowed to be within bathroom Zones 0 or 1. Installation is permitted within Zone 2.
- This product must be earthed. Before commencing installation, ensure that there are no pipes or wires located behind the wall that may be damaged during drilling.
- Ensure that the hanging location has been decided upon and marked clearly to avoid unwanted damage to the wall due to incorrect positioning.
- Check that the mirror is not damaged prior to installation.
- Take care of unpacking, and do not use a sharp blade to open it as this may damage the mirror and void your warranty.
- Installation must only be carried out by a qualified professional or electrician.
- Once installed, silicon can be applied between the cabinet and the wall around the unit. Don't seal the bottom of the cabinet, as this may allow water to accumulate behind it.




- If the external flexible cable or cord of this luminaire is damaged, it shall be exclusively replaced by the manufacturer or his service agent or a similarly qualified person in order to avoid a hazard.
- The light source of this luminaire is not replaceable; when the light source reaches its end of life, the whole luminaire shall be replaced.
- To reduce the risk of strangulation, the flexible wiring connected to this luminaire shall be effectively fixed to the wall if the wiring is within arm's reach.

BATHROOM ZONES



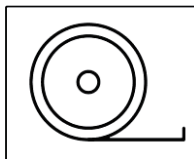
Zone 0:	The interior of the bathtub or shower basin.
Zone 1:	The area around the bathtub or shower basin up to a height of 2.25m above the floor
Zone 2:	The area stretching to 0.6m outside the bath or shower and above the bath or shower if over 2.25m

PARTS SUPPLIED

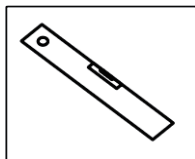
		
D6 Wall Plug (x2) 25mm	Wall Plug (x2) M4*45mm	SCREW (X3) M4*6

PLEASE NOTE: It is the installers responsibility to ensure that the fittings are suitable for the type of wall. Alternative fittings may be required (Not Supplied). If unsure, professional advice should be sought.

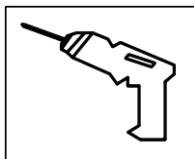
TOOLS REQUIRED



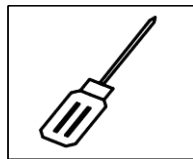
TAPE MEASURE



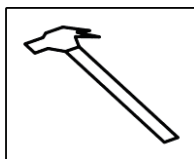
SPIRIT LEVEL



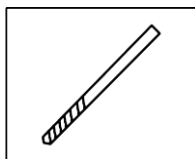
ELECTRIC DRILL



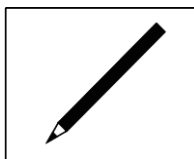
FLAT HEAD
SCREWDRIVER



HAMMER

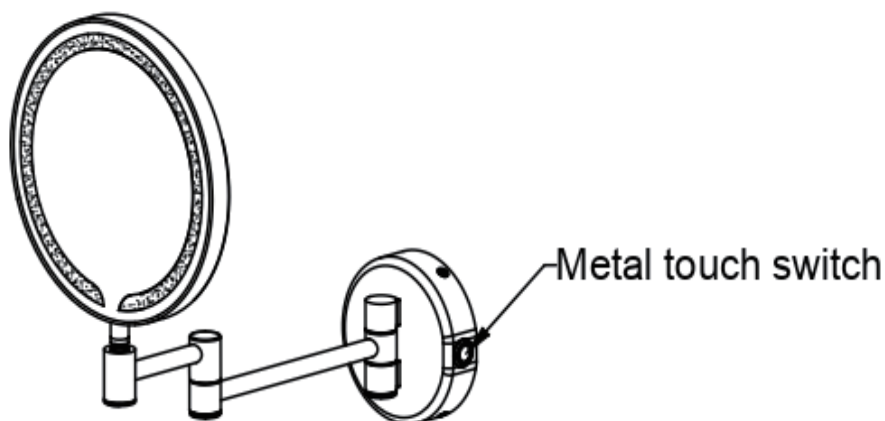


8mm DRILL BIT



PENCIL

PRODUCT OVERVIEW



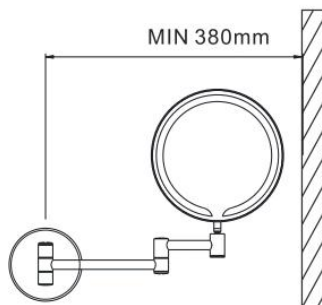
INSTALLATION

- **IMPORTANT:** Before commencing installation, ensure that there are no pipes or wires located behind the wall that you will be drilling into.
- Please go to product dimensions page(8); alternatively, you can use the holes on the support plate located in the back of the base as a guide.
- Ensure that the hanging location has been decided upon and marked clearly to avoid unwanted damage to the wall due to incorrect positioning.
- Check that the mirror is not damaged prior to installation.
- Take care of unpacking, and do not use a sharp blade to open it, as this may damage the mirror and void your warranty.
- **IMPORTANT:** The power must be disconnected when installing and performing any maintenance.

Step 1

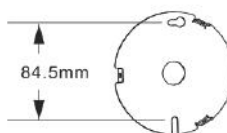
Choose the desired position of the mirror and determine the required position of the support plate.

Note: Please ensure there is enough space (Min. 380mm) as the swing arms are stretchable.



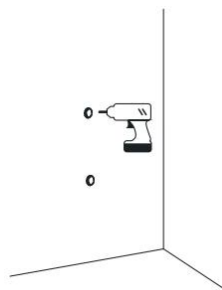
Step 2

Hold the support plate in position, then use a pencil to mark the position of the 2 holes on the wall.



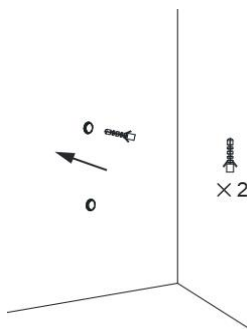
Step 3

Drill the holes using the 8mm drill bit.



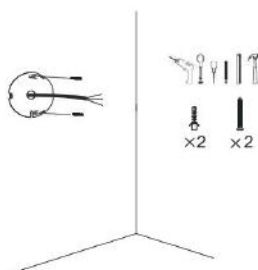
Step 4

Insert wall plugs into the holes and ensure they are flush to the wall.



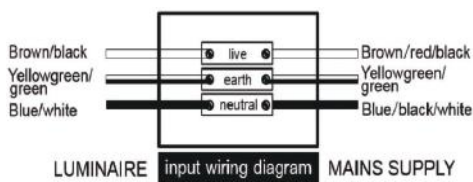
Step 5

Place the support plate onto the wall, then fix it with screws.



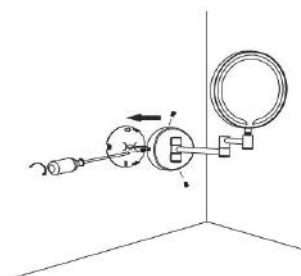
Step 6

Connect the mirror to your electrics via a fuse spur following all local regulations and the wiring diagram provided. The mirror must be situated on the support plate. When connecting ensure that enough cable is left to allow the mirror to be safely removed from the support plate.

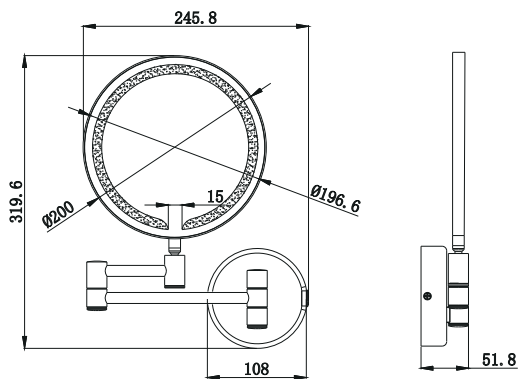
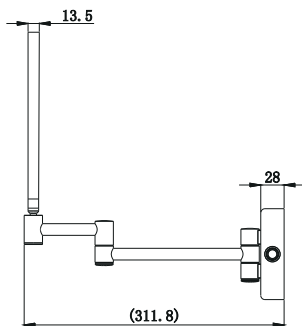
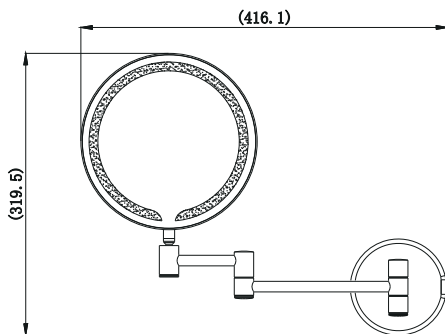


Step 7

Fix the mirror to the support plate using three screws through the security holes on the side on the base.

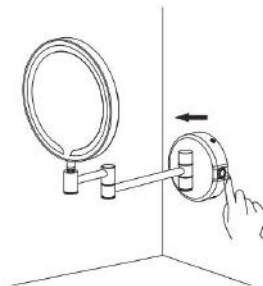


PRODUCT DIMENSIONS



OPERATION

Your mirror has a touch switch towards the base of the mirror. Tap it once to turn on the lights. Tap again to turn off the lights.



CLEANING AND MAINTENANCE

Never use products containing bleach or abrasive cleaners, as this will have a detrimental effect on the appearance and lifespan of the product.

Use a clean microfibre cloth to clean the mirror.

TECHNICAL SPECIFICATION

Model	GEMBB200 & GEMMB200
WxHxD (mm)	245*320*52
Net Weight (Kg)	1.15
Rated Power (W)	3.6W
IP Rating	IP 44
Input	220 V-240 V 50 Hz

This product contains a light source of energy efficiency class G.

DISPOSAL

Recycling facilities are now available for all customers at which you can deposit your old electrical products. Customers will be able to take any old electrical equipment to participating sites run by their local councils.



Please remember that this equipment will be further handled during the recycling process, so please be considerate when depositing your equipment. Please get in touch with the local council for details of your local household waste recycling centres.

At the time of printing the product contains no substances listed within Annex XIV of the Reach Regulations (EC) 1907/2006. In accordance with Article 59 of the same regulation, the following substances are contained within the product at permitted levels: Cadmium.

As a responsible manufacturer, we monitor the regulations to ensure continued compliance. Further information can be provided upon request.

For more information

- visit betterbathrooms.com
- email customerservices@buyitdirect.co.uk
- call 0330 390 3062
- write to Trident Business Park, Neptune Way, Huddersfield, HD2 1UA

**better
bathrooms** 

Part of the BuyItDirect Group